

Specification

SERIES NO.	33MN2S-P
IMAGE SENSOR	1/3" MEGAPIXEL CMOS WDR SENSOR (ROLLING SHUTTER)
TOTAL PIXELS	1329(H) X 976(V) APPROX. 1.3M PIXEL
SCANNING SYSTEM	PROGRESSIVE SCAN
SYNC SYSTEM	INTERNAL
MINIMUM ILLUMINATION	0.05 LUX @ AGC ON /SENS-UP OFF/ F1.2
RESOLUTION	OVER 700 TV-LINE
ICR-SET CONTROL	AUTO,EXT-CONTROL
GAIN CONTROL	AUTO
EXPOSURE CONTROL	AUTO, MANUAL, IRIS PRIORITY
S / N RATIO	48DB (TYP) (GAMMA, APERTURE, AGC OFF)
AUTO IRIS	AES /ALC-DC LENS (OPTIONAL)
VIDEO FORMATOUT	720P 50/60HZ
DNR CONTROL	OFF/LOW/MIDDLE/HIGH
DIGITAL VIDEO OUT (HDV)	HD-SDI (WITHOUT CABLE DRIVER)
ANALOG VIDEO OUT	CVBS
GAMMA CORRECTION	0.45 / 0.5 / 0.55 / 0.6 / 0.65
DIGITAL ZOOM	1.0~8.0
PROTOCOL	RS-485(OPTIONAL FUNCTION)
FUNCTION	BRIGHTNESS/SENS-UP/LEVEL(HLC)/BLC/WDR/AUTO/AUTO ECT./ XDR/SHADING/PRIVACY/MOTION/SD-CBCR/HD-CBCR/YUV
OPERATION TEMPERATURE	-20°C TO 50°C
OPERATIONAL HUMIDITY	WITHIN 85% RH
POWER SUPPLY	DC12V±1V / 200MA

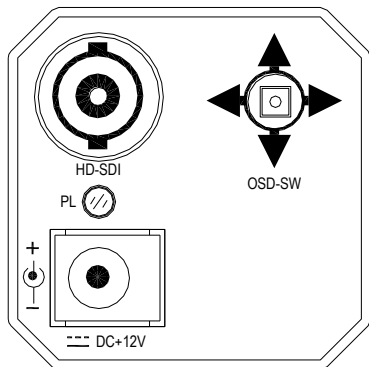
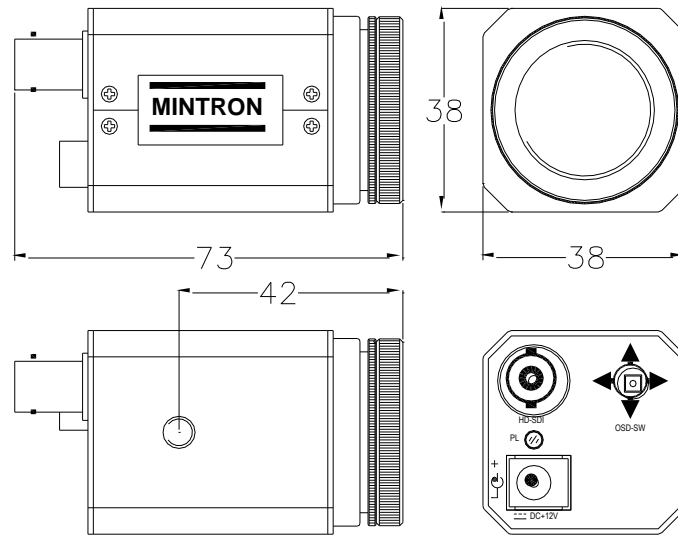
Caution for Installation:

1. Avoid places where there is direct sunlight. When using the camera outside.
2. Be careful, never let any water in this equipment.
3. Do not directly touch the Sensor device. If necessary, use a soft cloth moistened with alcohol to wipe off the dust.
4. When the camera installs in dust or wet environment, please puts into the camera housing.
5. Be extra careful not to shake the camera.
6. Avoid places where temperatures exceed 50 °C or more.
7. Be extra careful not to mistake plug in connect.
8. The camera are only operated with regulative adaptor DC 12V, AC to DC non-regulative adaptor may cause camera damaged.

Model No.33MN2S VER 2.0

Model number: MN2S

Dimension (Unit : mm / ± 0.3 mm)



Item No.MHD-33MN2S-P

- HD-SDI Video out
- Power : DC 12V / 200mA
- Day/ Night :IR-Cut filter
- Features : 33MN2S-P common functions

33MN2 OSD Infrastructure (Index)

OSD Main Menu	functions	Parameter/content	
LENS	ALC	INDOOR/OUTDOOR/DEBLUR	Remark
	AES	NOIRMAL / DEBLUR	
EXPOSURE	BRIGHTNESS	----- 10	
	FREQ	50Hz/60Hz	
	SHUTTER	AUTO_1/30(25)	
		MANUAL_1/30(25) · 1/60(50) · 1/120(100) · 1/240 · 1/500 · 1/1000 · 1/2000 · 1/4000 · 1/8000 · 1/16000 · 1/30000 · 1/60000	
		SENS-UP	
AGC	----- 10		
BACKLIGHT	OFF		
	ECLIPSE	----- 10	
	BLC	H/V-POS 5 (0~20)	
H/V-SIZE 5 (0~20)			
DAY&NIGHT	MODE	AUTO/COLOR/B&W/EXTERN	
	ANTI-SAT.	----- 10	
	AGC THRES	----- 10	
	AGC MARGIN	----- 10	
	DELAY	LOW/MIDDLE/HIGH	
WHITE BAL	AUTO		
	ATW EXT.		
	PRESET	one-pushing	
	MANUA	R-GAIN ----- 10	
B-GAIN ----- 10			
DNR	HIGHT/MIDDLE/LOW/OFF		
IMAGE	SHARPNESS	----- 10	
	GAMMA	0.45/0.5/0.55/0.6/0.65	
	COLOR GAIN	----- 10	
	MIRROR	ON/OFF	
	FLIP	ON/OFF	
	XDR	OFF/LOW/MIDDLE/HIGH	
	CROSS LINE	ON / OFF	
	FREEZE	ON / OFF	

※The specifications and appearance of the product may change without notice.

Model No.33**MN2S** VER 2.0

	COLORBAR	ON / OFF	
D-Zoom	1.0x~8.0x		
SYSTEM	COMMUNICATION	CAM ID 1~255	
		BAUDRATE 2400/4800/9600/57600/115200	
	IMAGE RANGE	FULL/COMP	
	COLOR SPACE	SD-CbCr/HD-CbCr/YUV	
	FRAME RATE	60 FPS	
	CVBS	NTSC/PAL	
	LANGUAGE	ENG/CHN/CHN(S)/JPN	
	RESET	ON(Push)	