

MN1P Specification

| | |
|------------------------|---|
| SERIES NO. | MN1P / 2.1MEGA WDR 1080P HD-SDI/CVBS CAMERA |
| IMAGE SENSOR | 1/3" MEGAPIXEL CMOS WDR SENSOR (ROLLING SHUTTER) |
| CCD TOTAL PIXELS | 2010(H) X 1108(V) APPROX. 2.1M PIXEL |
| EFFECTIVE PIXELS | 1944(H) X1029(V) |
| SCANNING SYSTEM | PROGRESSIVE SCAN |
| SYNC SYSTEM | INTERNAL |
| MINIMUM ILLUMINATION | 0.05 LUX @ AGC ON /SENS-UP OFF/ F1.2 |
| RESOLUTION | OVER 1000 TV-LINE |
| ICR-SET CONTROL | AUTO, TRIGGER IN , SMART IR, |
| GAIN CONTROL | AUTO |
| EXPOSURE CONTROL | AUTO, MANUAL, IRIS PRIORITY |
| S / N RATIO | 48DB (TYP) (GAMMA, APERTURE, AGC OFF) |
| AUTO IRIS | AES / ALC-DC LENS |
| VIDEO FORMATOUT | 1080P 25/30HZ |
| DNR CONTROL | OFF/LOW/MIDDLE/HIGH |
| DIGITAL VIDEO OUT(HDV) | HD-SDI (WITHOUT CABLE DRIVER) & YUV:422 |
| ANALOG VIDEO OUT | CVBS |
| GAMMA CORRECTION | 0.45 / 0.5 / 0.55 / 0.6 / 0.65 |
| DIGITAL ZOOM | 1.0~8.0 |
| PROTOCOL | RS-485(OPTIONAL FUNCTION) |
| FUNCTION | BRIGHTNESS/SENS-UP/LEVEL(HLC)/BLC/WDR/AUTO/AUTO ECT./ XDR/SHADING/PRIVACY/MOTION/SD-CBCR/HD-CBCR/YUV |
| OPERATION TEMPERATURE | -20°C TO 50°C |
| OPERATIONAL HUMIDITY | WITHIN 85% RH |
| POWER SUPPLY | DC12V±1V / 200MA |

Caution for Installation:

1. Avoid places where there is direct sunlight. When using the camera outside.
2. Be careful, never let any water in this equipment.
3. Do not directly touch the Sensor device. If necessary, use a soft cloth moistened with alcohol to wipe off the dust.
4. When the camera installs in dust or wet environment, please puts into the camera housing.
5. Be extra careful not to shake the camera.
6. Avoid places where temperatures exceed 50 °C or more.
7. Be extra careful not to mistake plug in connect.
8. The camera are only operated with regulative adaptor DC 12V, AC to DC non-regulative adaptor may cause camera damaged.

Family product line up:

For HD-SDI repeater application:

Model name: MHD-61S2S-P, allows extending HD-SDI transmission distance, built-in Power and Ctrl signal are via coaxial cable

For converter application:

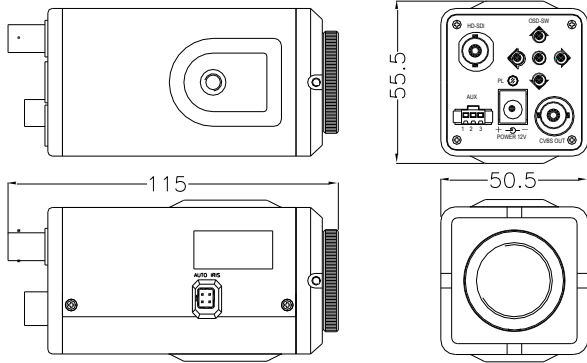
Model name: MHD-61S2SH, converts HD-SDI signal to HDVI (Hi-definition multimedia interface)

※The specifications and appearance of the product may change without notice.

Model No.MN1P VER 0.4

MN1P C/CS Mount BOX

Dimension (Unit : mm / ±0.3mm)

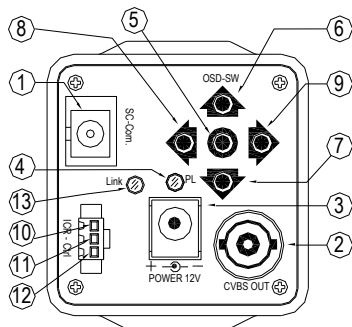


Rear board definition

- ① HDV VIDEO OUT(SDI type)
- ② SDV VIDEO OUT
- ③ POWER IN DC-JACK
- ④ POWER ON INDEX LED
- ⑤ OSD-SW "ENTER"
- ⑥ OSD-SW "UP"
- ⑦ OSD-SW "DOWN"
- ⑧ OSD-SW "LEFT"
- ⑨ OSD-SW "RIGHT"
- ⑩ AUX 1 : " optional "
- ⑪ AUX 2 : " optional "
- ⑫ AUX 3 : " optional "

Body side connector: DC IRIS

Item No.MHD-63MN1PH-FDICR



- Fiber Video out
- Power: DC 12V/200mA
- Day/ Night :IR-Cut filter or Removable(optional)
- Communication: Normal (No released)or RS-485 (for developer)
- Features : MN1 common functions

MN1P OSD Infrastructure (Index)

| OSD Main Menu | functions | Parameter/content | Remark |
|---------------|--|---|--------|
| LENS | ALC AES | INDOOR/OUTDOOR | |
| EXPOSURE | BRIGHTNESS FREQ SHUTTER SENS-UP AGC | ----- ----- 10 50Hz/60Hz AUTO_1/30(25) MANUAL _1/30(25) 、 1/60(50) 、 1/120(100) 、 1/240 、 1/500 、 1/1000、1/2000、1/4000、1/8000、 1/16000 、 1/30000 、 1/60000 OFF/X2/X3/X4/X5/X6/X7/X8 ----- ----- 10 | |
| BACKLIGHT | OFF ECLIPSE BLC WDR | ----- ----- 10 H/V-POS 5 (0~20) H/V-SIZE 5 (0~20) LOW/MIDDLE/HIGH | |
| DAY&NIGHT | MODE IR LED SMART IR EXTERN S/W AGC THRES MARGIN DELAY | AUTO/COLOR/B&W/EXTERN YES/NO ON/OFF HIGH/LOW ----- ----- 10 ----- ----- 10 LOW/MIDDLE/HIGH | |
| WHITE BAL | ATW ATW EXT. PRESET MANUA | one-pushing R-GAIN ----- ----- 10 B-GAIN ----- ----- 10 | |
| DNR | HIGHT/MIDDLE/LOW/OFF | | |
| IMAGE | SHARPNESS GAMMA COLOR GAIN MIRROR FLIP D-ZOOM XDR | ----- ----- 10 0.45/0.5/0.55/0.6/0.65 ----- ----- 10 ON/OFF ON/OFF 1.0x~8.0x OFF/LOW/MIDDLE/HIGH | |

※The specifications and appearance of the product may change without notice.

| | | | |
|--------|---|--|--|
| | SHADING ON/OFF | WEIGHT 0~100% | |
| | PRIVACY ON/OFF | ZONE NUM 0-32 ZONE DISP ON/OFF H-POS 0-60 V-POS 0-40 H-SIZE 0-40 V-SIZE 0-40 Y LEVEL ---- ---- 10 CR LEVEL ---- ---- 10 CB LEVEL ---- ---- 10 | |
| MOTION | SENSITIVITY DET H-POS DET V-POS DET H-SIZE DET V-SIZE MOTION OSD ALARM | ---- ---- 10 5 (0~60) 5 (0~40) 2 (0~60) 2 (0~40) ON/OFF ON/OFF | |
| SYSTEM | COMMUNICATION IMAGE RANGE Ouput FORMAT Color Space Fram Rate CVBS LANGUAGE RESET RETURN | CAM ID 1~255 BAUDRATE 2400/4800/9600/57600/115200 PROTOCOL PELCO FULL/COMP 1080P/720P SD-CbCr/HD-CbCr/YUV 30P/25P、60P/50P NTSC/PAL ENG/CHN/CHN(S)/JPN ON(Push) | |
| EXIT | AUTO/MANUA | | |

※The specifications and appearance of the product may change without notice.