

MN2S Specification

SERIES NO.	MN2S / 1.3MEGA HD-SDI/CVBS CAMERA
IMAGE SENSOR	1/3" MEGAPIXEL CMOS WDR SENSOR (ROLLING SHUTTER)
CCD TOTAL PIXELS	1280(H) X 1024(V) APPROX. 1.3M PIXEL
EFFECTIVE PIXELS	1280(H) X720(V)
SCANNING SYSTEM	PROGRESSIVE SCAN
SYNC SYSTEM	INTERNAL
MINIMUM ILLUMINATION	0.05 LUX @ AGC ON /SENS-UP OFF/ F1.2
RESOLUTION	OVER 800 TV-LINE
ICR-SET CONTROL	AUTO, EXT-VONTROL
GAIN CONTROL	AUTO
EXPOSURE CONTROL	AUTO, MANUAL, IRIS PRIORITY
S / N RATIO	48DB (TYP) (GAMMA, APERTURE, AGC OFF)
AUTO IRIS	AES / ALC-DC LENS
VIDEO FORMATOUT	720P 50/60HZ
DNR CONTROL	OFF/LOW/MIDDLE/HIGH
DIGITAL VIDEO OUT(HDV)	AVAILABLE HD INTERFACE <ul style="list-style-type: none"> ● HD-SDI- LVDS&YUV:422------(PS:MOUDLE TYPE ONLY) ● HD-SDI ● HD-SDI (C-LINK-HD VIDEO, CTRL, & POWER ARE OVER SAME CABLE) ● HD-SDI WITH LC SFP FIBER OUT-----
ANALOG VIDEO OUT	CVBS
GAMMA CORRECTION	0.45 / 0.5 / 0.55 / 0.6 / 0.65
DIGITAL ZOOM	1.0~8.0
PROTOCOL	RS-485(OPTIONAL FUNCTION)
FUNCTION	BRIGHTNESS/SENS-UP/LEVEL(HLC)/BLC/WDR/AUTO/AUTO ECT./XDR/SHADING/PRIVACY/MOTION/SD-CBCR/HD-CBCR/YUV
OPERATION TEMPERATURE	-20℃ TO 50℃
OPERATIONAL HUMIDITY	WITHIN 85% RH
POWER SUPPLY	DC12V±1V / 200MA

Caution for Installation:

1. Avoid places where there is direct sunlight. When using the camera outside.
2. Be careful, never let any water in this equipment.
3. Do not directly touch the Sensor device. If necessary, use a soft cloth moistened with alcohol to wipe off the dust.
4. When the camera installs in dust or wet environment, please puts into the camera housing.
5. Be extra careful not to shake the camera.
6. Avoid places where temperatures exceed 50 °C or more.
7. Be extra careful not to mistake plug in connect.
8. The camera are only operated with regulative adaptor DC 12V, AC to DC non-regulative adaptor may cause camera damaged.

Family product line up:

For HD-SDI repeater application:

Model name: MHD-61S2S-P, allows extending HD-SDI transmission distance, built-in Power and Ctrl signal are via coaxial cable

For converter application:

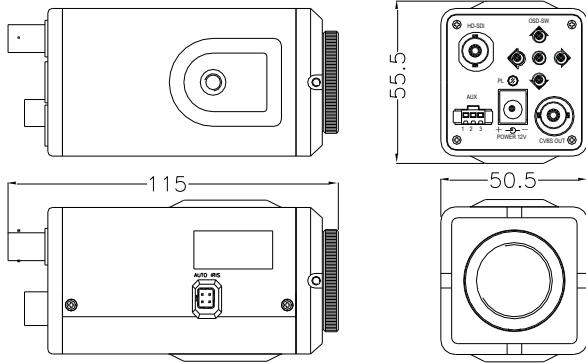
Model name: MHD-61S2SH, converts HD-SDI signal to HDVI (Hi-definition multimedia interface)

※The specifications and appearance of the product may change without notice.

Model No.MN2S VER 3.0

MN2S C/CS Mount BOX

Dimension (Unit : mm / ±0.3mm)

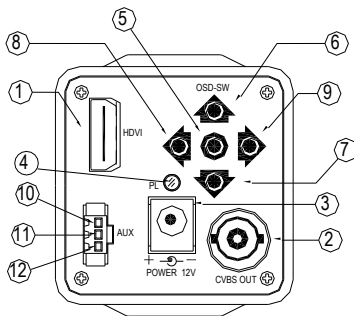


Rear board definition

- ① HDV VIDEO OUT(SDI type)
- ② SDV VIDEO OUT
- ③ POWER IN DC-JACK
- ④ POWER ON INDEX LED
- ⑤ OSD-SW "ENTER"
- ⑥ OSD-SW "UP"
- ⑦ OSD-SW "DOWN"
- ⑧ OSD-SW "LEFT"
- ⑨ OSD-SW "RIGHT"
- ⑩ AUX 1 : " optional "
- ⑪ AUX 2 : " optional "
- ⑫ AUX 3 : " optional "

Body side connector: DC IRIS

Item No.MHD-13MN2S-D



- HD-SDI & CVBS Video out
- Power: DC 12V/200mA
- Day/ Night :IR-Cut filter
- Communication: Normal (No released)or RS-485 (for developer)
- Features : MN2 common functions

MN2S OSD Infrastructure (Index)

OSD Main Menu	functions	Parameter/content			
LENS	ALC	INDOOR/OUTDOOR/DEBLUR	Remark		
	AES	NOIRMAL / DEBLUR			
EXPOSURE	BRIGHTNESS	----- ----- 10			
	FREQ	50Hz/60Hz			
	SHUTTER	AUTO_1/30(25)		MANUAL_1/30(25) 、 1/60(50) 、 1/120(100) 、 1/240 、 1/500 、 1/1000 、 1/2000 、 1/4000 、 1/8000 、 1/16000 、 1/30000 、 1/60000	
		SENS-UP			OFF/X2/X3/X4/X5/X6/X7/X8
		AGC			----- ----- 10
BACKLIGHT	OFF				
	ECLIPSE	----- ----- 10			
	BLC	H/V-POS 5 (0~20)		H/V-SIZE 5 (0~20)	
		H/V-SIZE 5 (0~20)			
DAY&NIGHT	MODE	AUTO/COLOR/B&W/EXTERN			
	ANTI-SAT.	----- ----- 10			
	AGC THRES	----- ----- 10			
	AGC MARGIN	----- ----- 10			
	DELAY	LOW/MIDDLE/HIGH			
WHITE BAL	AUTO				
	ATW EXT.				
	PRESET	one-pushing			
	MANUA	R-GAIN ----- ----- 10		B-GAIN ----- ----- 10	
B-GAIN ----- ----- 10					
DNR	HIGHT/MIDDLE/LOW/OFF				
IMAGE	SHARPNESS	----- ----- 10			
	GAMMA	0.45/0.5/0.55/0.6/0.65			
	COLOR GAIN	----- ----- 10			
	MIRROR	ON/OFF			
	FLIP	ON/OFF			
	XDR	OFF/LOW/MIDDLE/HIGH			
	CROSS LINE	ON / OFF			
	FREEZE	ON / OFF			

※The specifications and appearance of the product may change without notice.

	COLORBAR	ON / OFF	
D-Zoom	1.0x~8.0x		
SYSTEM	COMMUNICATION	CAM ID 1~255	
		BAUDRATE 2400/4800/9600/57600/115200	
	IMAGE RANGE	FULL/COMP	
	COLOR SPACE	SD-CbCr/HD-CbCr/YUV	
	CVBS	NTSC/PAL	
	LANGUAGE	ENG/CHN/CHN(S)/JPN	
	RESET	ON(Push)	