

SS10 Specification

TV SYSTEM	NTSC	PAL
IMAGE SENSOR	1/3-INCH I.L. CCD IMAGE SENSOR	
CCD TOTAL PIXELS	~ 410K	~ 470K
SYNC SYSTEM	INTERNAL	
MINIMUM ILLUMINATION	0.012 LUX@F1.2 /40 IRE AGC ON B/W 0.0014 LUX@F1.2 /40 IRE SENS-UP (32X) B/W	
LENS & VIEW ANGLE	3.6mm F2.0 / 92°	
RESOLUTION	540 TVL	
WHITE BALANCE	Mode	ATW / AWC
	Range	3200 ~ 10000 °K
S / N RATIO	50DB (MIN) / 58DB (TYP) (GAMMA, APERTURE, AGC, OFF)	
DNR (DIGITAL NOISE REDUCE)	S/N UP 4.5DB	
GAIN CONTROL	AGC ON / OFF	
SENSE UP	ON /OFF (PRESET X4 ,OPTION X32)	
H - MIRROR FUNCTION	OFF / ON	
V - MIRROR FUNCTION	OFF / ON	
B.L.C. FUNCTION	ON / OFF	
COLOR BAR	OFF / ON	
AUTO IRIS	A.E.S. / DC-IRIS	
ELECTRONIC SHUTTER	1/60~1/120,000 sec.	1/50~1/120,000 sec.
VIDEO OUTPUT	1.0V p-p composite video at 75 ohm With monitor output	
OPERATION TEMPERATURE	-20°C TO 50°C	
OPERATIONAL HUMIDITY	WITHIN 85% RH	
POWER SUPPLY	DC12V±1V / 150MA	

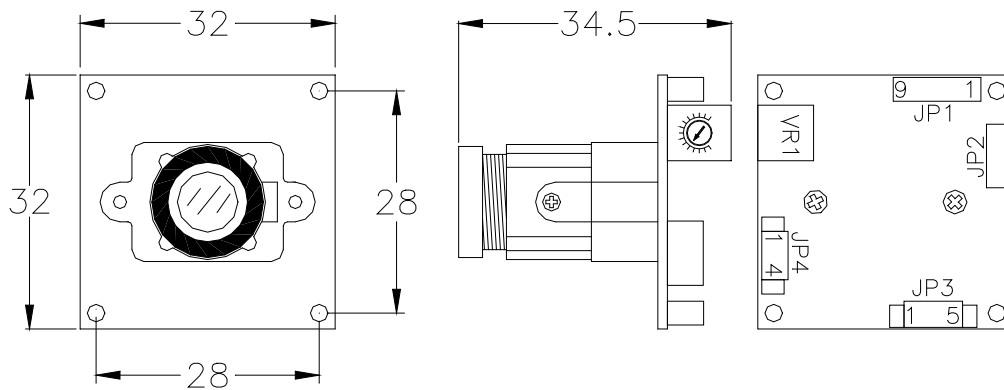
Caution for Installation:

1. Avoid places where there is direct sunlight. When using the camera outside.
2. Be careful, never let any water in this equipment.
3. Do not directly touch the Sensor device. If necessary, use a soft cloth moistened with alcohol to wipe off the dust.
4. When the camera installs in dust or wet environment, please puts into the camera housing.
5. Be extra careful not to shake the camera.
6. Avoid places where temperatures exceed 50 °C or more.
7. Be extra careful not to mistake plug in connect.
8. The camera are only operated with regulative adaptor DC 12V, AC to DC non-regulative adaptor may cause camera damaged.

Model No. SS10 企_VER 1.0

Model number 53SS10

Dimension (Unit : mm / ± 0.3mm)

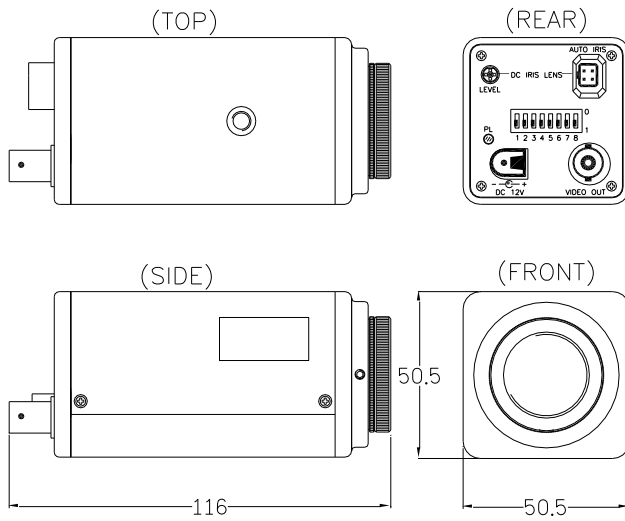


Pin definition

JP1		JP2	JP3		JP4	
P1	AES/ALC	For manufacture not release	P1	+12V	P1	CONTRAL -
P2	AGC ON/OFF		P2	GND	P2	CONTRAL+
P3	ATW/AWC		P3	VIDEO OUT	P3	DRIVER+
P4	BLC OFF/ON		P4	MONITOR OUT	P4	DRIVER -
P5	H-MIRROR		P5	GND		
P6	V-MIRROR					
P7	SENS-UP (X4)					
P8	VIDEO/COLOR BAR					
P9	GND					

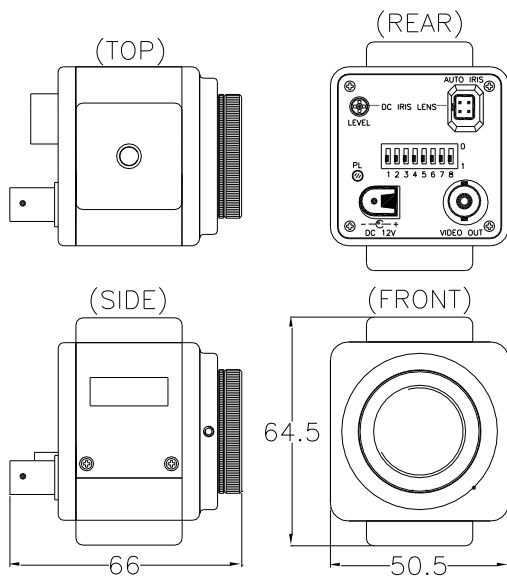
SS10 C/CS Mount BOX

Dimension (Unit : mm / ±0.5mm)



[Item No.MTV-63SS10H-D](#)

FUNCTION SWITCH		1	0
S1	AES/ALC	AES	ALC
S2	AGC	AGC ON	AGC OFF
S3	ATW/AWC	ATW	AWC
S4	BLC	BLC ON	BLC OFF
S5	H-MIRROR	NORMAL	MIRROR
S6	V-MIRROR	NORMAL	MIRROR
S7	SENS-UP (X4)	SENS-UP ON	SENS-UP OFF
S8	VIDEO/COLOR BAR	VIDEO	COLOR BAR



[Item No. MTV-73SS10H-D](#)

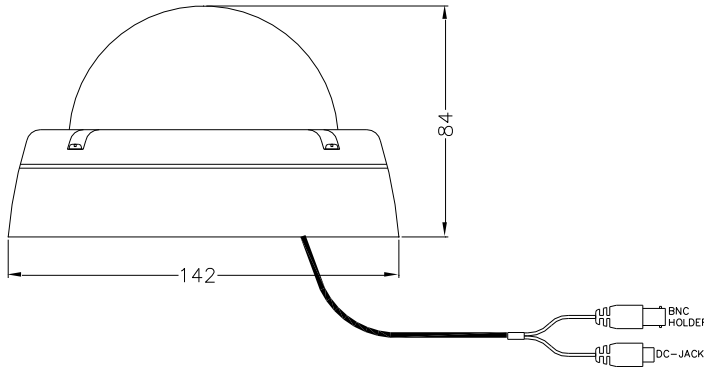
FUNCTION SWITCH		1	0
S1	AES/ALC	AES	ALC
S2	AGC	AGC ON	AGC OFF
S3	ATW/AWC	ATW	AWC
S4	BLC	BLC ON	BLC OFF
S5	H-MIRROR	NORMAL	MIRROR
S6	V-MIRROR	NORMAL	MIRROR
S7	SENS-UP (X4)	SENS-UP ON	SENS-UP OFF
S8	VIDEO/COLOR BAR	VIDEO	COLOR BAR

SS10 Dome

Dimension (Unit : mm / ±0.3mm)

DOME Name : TD2

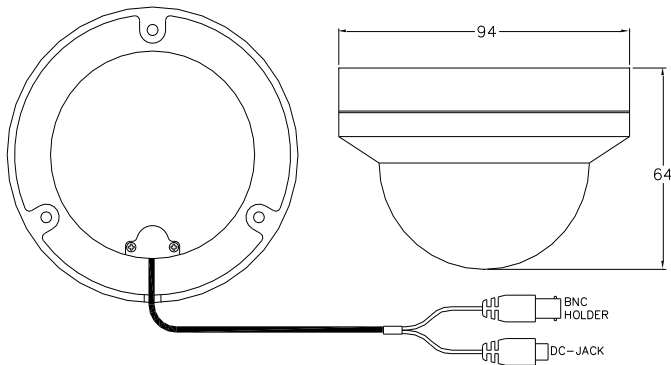
[Item No.MTV-83SS10H-TD2](#)



FUNCTION SWITCH		1	0
S1	AES/ALC	AES	ALC
S2	AGC	AGC ON	AGC OFF
S3	ATW/AWC	ATW	AWC
S4	BLC	BLC ON	BLC OFF
S5	H-MIRROR	NORMAL	MIRROR
S6	V-MIRROR	NORMAL	MIRROR
S7	SENS-UP (X4)	SENS-UP ON	SENS-UP OFF
S8	VIDEO/COLOR BAR	VIDEO	COLOR BAR

DOME Name : WD1

[Item No. MTV-83SS10H-WD1](#)



※The specifications and appearance of the product may change without notice.