

S80 Specification

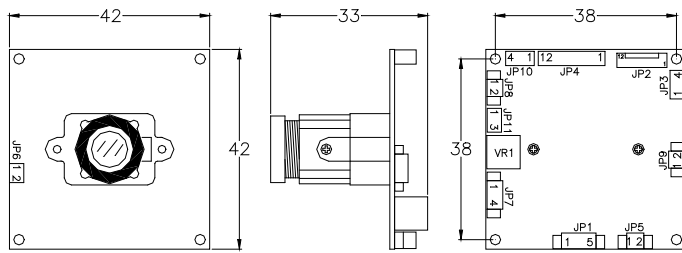
TV SYSTEM	NTSC		PAL
IMAGE SENSOR	1/3-INCH I.L CCD IMAGE SENSOR		
CCD TOTAL PIXELS	~ 410K		~ 470K
SYNC SYSTEM	INTERNAL		
MINIMUM ILLUMINATION	0.012 LUX@F1.2 /20 IRE AGC ON B/W 0.0014 LUX@F1.2 /20 IRE SENS-UP (32X) B/W		
LENS & VIEW ANGLE	3.6mm F2.0 / 92°		
RESOLUTION	540 TVL		
WHITE BALANCE	Mode	ATW / AWC	
	Range	3200 ~ 10000 °K	
S / N RATIO	50DB (MIN) / 58DB (TYP) (GAMMA, APERTURE, AGC OFF)		
AUDIO OUTPUT	BUILD IN 60 DB GAIN AUDIO AMPLIFIER WITH LOW IMPEDANCE OUTPUT		
GAIN CONTROL	AGC ON / OFF		
GAMMA CONTROL	0.45 / 1.0		
FRAME INTEGRATION	OFF/ON (PRESET 4X, MAX 32X BY PROGRAM SET)		
H - MIRROR FUNCTION	OFF (NORMAL IMAGE) / ON (HORIZONTAL IMAGE INVERSION)		
V - MIRROR FUNCTION	OFF (NORMAL IMAGE) / ON (VERTICAL IMAGE INVERSION)		
B.L.C. FUNCTION	OFF / ON		
AUTO IRIS	A.E.S. / DC-IRIS		
ENHANCE	HIGH/MID		
FLICKLESS	OFF/ON		
COLOR BAR	OFF/ON		
IR-CUT-FILTER SW	ON /OFF		
ELECTRONIC SHUTTER	A.E.S	1/60~1/120,000 SEC.	1/50~1/120,000 SEC.
	FIX	1/50(60),1/100,1/250,1/500,1/1000,1/2000,1/4000,1/10000	
SDNR	BUILT-IN SDNR (SUPER DIGITAL NOISE REDUCTION)		
VIDEO OUTPUT	ANALOGY	1.0V P-P COMPOSITE VIDEO AT 75 ohm	
	DIGITAL	ITU 601	
OPERATION TEMPERATURE	-20°C TO 50°C		
OPERATIONAL HUMIDITY	WITHIN 85% RH		
POWER SUPPLY	DC12V±1V / 150MA		

1. Avoid places where there is direct sunlight. When using the camera outside.
2. Be careful, never let any water in this equipment.
3. Do not directly touch the Sensor device. If necessary, use a soft cloth moistened with alcohol to wipe off the dust.
4. When the camera installs in dust or wet environment, please puts into the camera housing.
5. Be extra careful not to shake the camera.
6. Avoid places where temperatures exceed 50 °C or more.
7. Be extra careful not to mistake plug in connect.
8. The camera are only operated with regulative adaptor DC 12V, AC to DC non-regulative adaptor may cause camera damaged.

Model No. S80 企_VER 1.0

Model number 53S80

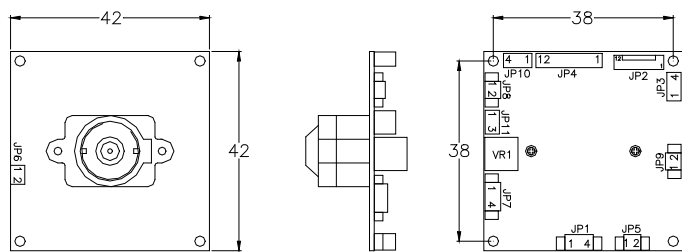
Dimension (Unit : mm / $\pm 0.3\text{mm}$)



Item No. MTV-53S80H-D

- CVBS(PAL/NTSC)
- Board Lens
- POWER DC 12V

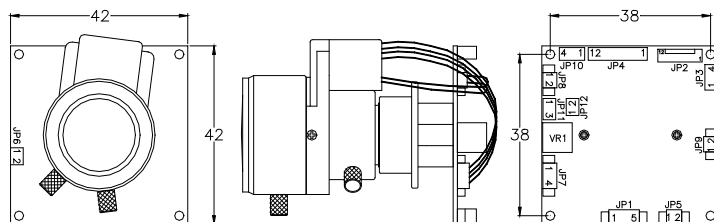
Features : S80 common functions



Item No. MTV-53S80HI

- CVBS(PAL/NTSC)
- Pinhole Lens (Cone)
- POWER DC 12V

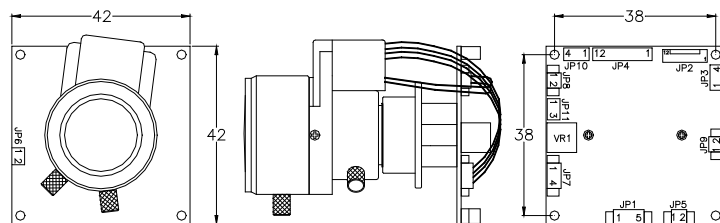
Features : S80 common functions



Item No. MTV-53S80H-IRVF

- CVBS(PAL/NTSC)
- IRVF Lens
- POWER DC 12V

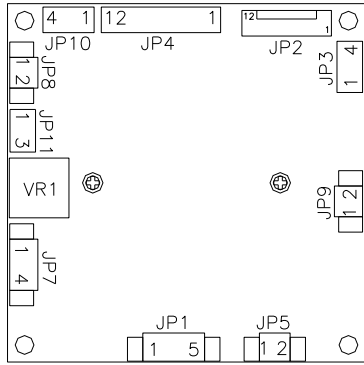
Features : S80 common functions



Item No. MTV-53S80H-VF

- CVBS(PAL/NTSC)
- VF Lens
- POWER DC 12V

Features : S80 common functions



JP1		JP2	ITU-601
1	+12V	1	DCK
2	GND	2	D0
3	VIDEO	3	D1
4	MONITOR	4	D2
5	GND	5	D3
/		6	D4
		JP3	
1	S0	8	D6
2	S1	9	D7
3	S2	10	HD
4	GND	11	VD
/		12	GND

JP3 Shutter speed select			
S0	S1	S2	SPEED
1	1	1	1/60(50) sec.
0	1	1	1/100(120) sec.
1	0	1	1/250 sec.
0	0	1	1/500 sec.
1	1	0	1/1000 sec.
0	1	0	1/2000 sec.
1	0	0	1/4000 sec.
0	0	0	1/10000 sec.

"1" = OPEN ,
"0" = Connect to JP3-4(GND)

JP4		JP5	JP8	JP10			
1	AGC	1	VD in	1	+3.3V		
2	ATW/AWB	2	GND	2	IR-SW_B		
3	H-MIRROR	/		3	TX		
4	V-MIRROR			4	GND		
5	BLC	1	MIC	1	Audio out		
6	ZOOM	2	GND	2	GND		
7	ENHANCE	/		FOR MANUFACTURE NOT RELEASE			
8	GAMMA					JP7	
9	COLOR BAR	1	DMP-			1	IR-SW ON/OFF
10	AES/ALC	2	DMP+			2	F/I ON/OFF
11	FLC	3	DRV+	3	GND		
12	GND	4	DRV-	/			